

Surface Mount Power Splitter/Combiner

LRPS-2-25+ LRPS-2-25

2 Way-0° 50Ω 1700 to 2500 MHz



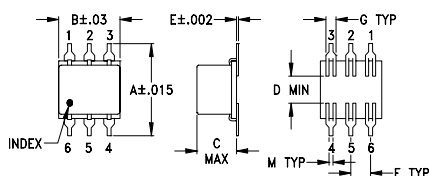
Maximum Ratings

Operating Temperature	-40°C to 85°C
Storage Temperature	-55°C to 100°C
Power Input (as a splitter)	1W max.
Internal Dissipation	0.125W max.

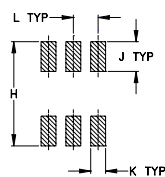
Pin Connections

SUM PORT	6
PORT 1	4
PORT 2	3
GROUND	1,2,5

Outline Drawing



PCB Land Pattern

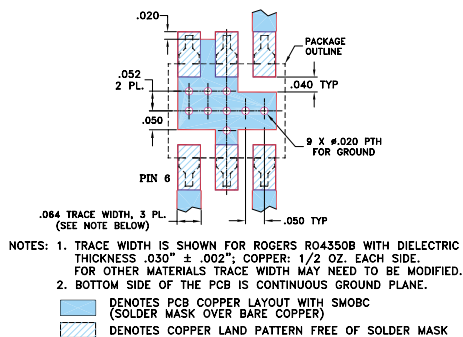


Suggested Layout,
Tolerance to be within ±.002

Outline Dimensions (inch mm)

A	B	C	D	E	F	G
.400	.31	.200	.10	.010	.100	.050
10.16	7.87	5.08	2.54	0.25	2.54	1.27
H	J	K	L	M	wt	
.420	.120	.060	.100	.020	grams	
10.67	3.05	1.52	2.54	0.51	0.55	

Demo Board MCL P/N: TB-100 Suggested PCB Layout (PL-057)



Features

- low insertion loss, 0.8 dB typ.
- good isolation, 20 dB typ.

Applications

- PCS
- DCS
- ISM
- communications systems

CASE STYLE: QQQ130
PRICE: \$21.95 ea. QTY. (10-49)

+ RoHS compliant in accordance
with EU Directive (2002/95/EC)

The +Suffix identifies RoHS Compliance. See our web site for RoHS Compliance methodologies and qualifications.

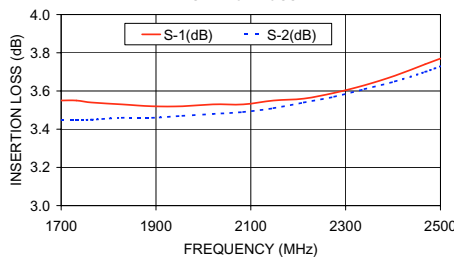
Electrical Specifications

FREQ. RANGE (MHz)	ISOLATION (dB)		INSERTION LOSS (dB) ABOVE 3.0 dB		PHASE UNBALANCE (Degrees)	AMPLITUDE UNBALANCE (dB)
	Typ.	Min.	Typ.	Max.	Max.	Max.
$f_c - f_u$	20	16	0.8	1.3	10	0.9
1700-2500						

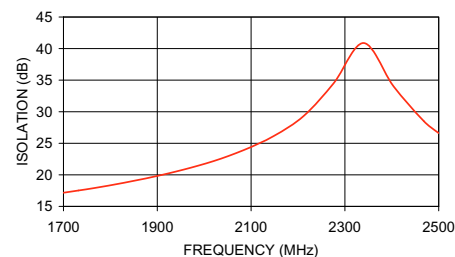
Typical Performance Data

Frequency (MHz)	Insertion Loss (dB)		Amplitude Unbalance (dB)	Isolation (dB)	Phase Unbalance (deg.)	VSWR S	VSWR 1	VSWR 2
	S-1	S-2						
1700.00	3.55	3.45	0.10	17.17	1.63	1.43	1.14	1.15
1732.00	3.55	3.45	0.10	17.52	1.55	1.40	1.13	1.16
1764.00	3.54	3.45	0.09	17.89	1.53	1.38	1.13	1.17
1828.00	3.53	3.46	0.07	18.73	1.43	1.35	1.12	1.19
1892.00	3.52	3.46	0.07	19.69	1.24	1.31	1.12	1.21
1956.00	3.52	3.47	0.05	20.83	1.13	1.28	1.12	1.25
2020.00	3.53	3.48	0.05	22.18	0.94	1.26	1.12	1.27
2084.00	3.53	3.49	0.04	23.91	0.75	1.25	1.11	1.30
2148.00	3.55	3.51	0.04	26.14	0.50	1.25	1.12	1.33
2212.00	3.56	3.54	0.02	29.31	0.34	1.25	1.12	1.36
2276.00	3.59	3.57	0.03	34.50	0.11	1.30	1.13	1.40
2340.00	3.63	3.61	0.03	40.88	0.21	1.32	1.14	1.43
2404.00	3.68	3.65	0.03	34.00	0.40	1.38	1.15	1.47
2468.00	3.74	3.70	0.03	28.52	0.79	1.44	1.16	1.51
2500.00	3.77	3.73	0.03	26.61	0.93	1.49	1.17	1.53

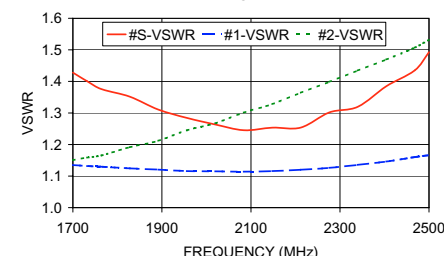
LRPS-2-25
INSERTION LOSS



LRPS-2-25
ISOLATION



LRPS-2-25
VSWR



electrical schematic



Mini-Circuits®
ISO 9001 ISO 14001 CERTIFIED

ALL NEW
minicircuits.com

P.O. Box 350166, Brooklyn, New York 11235-0003 (718) 934-4500 Fax (718) 332-4661 For detailed performance specs & shopping online see Mini-Circuits web site



The Design Engineers Search Engine Provides ACTUAL Data Instantly From MINI-CIRCUITS At: www.minicircuits.com

RF/IF MICROWAVE COMPONENTS

REV. OR
M102713
LRPS-2-25
ED-2361
DJ/TD/CP
070202