

# Frequency Multiplier

RK-5

Output 20 to 1600 MHz

## Maximum Ratings

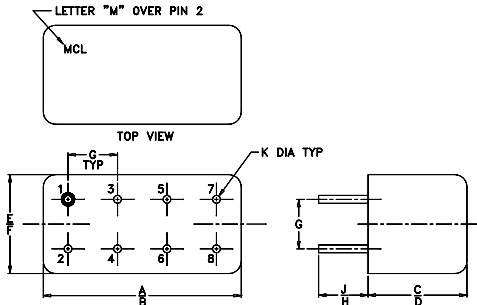
Operating Temperature	-55°C to 100°C
Storage Temperature	-55°C to 100°C
RF Input Power	200mW

## Pin Connections

INPUT	1,3,4 <sup>^</sup>
OUTPUT	8
GROUND EXT.	2,5,6,7
GROUND	2,5,6,7

<sup>^</sup>pins must be connected together externally

## Outline Drawing



NOTE: BLUE BEAD INDICATES PIN 1. PIN NUMBERS DO NOT APPEAR ON UNIT, FOR REFERENCE ONLY.

## Outline Dimensions (inch/mm)

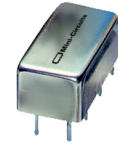
A	B	C	D	E	F
.770	.800	.385	.400	.370	.400
19.56	20.32	9.78	10.16	9.40	10.16
G	H	J	K	wt	
.200	.20	.14	.031	grams	
5.08	5.08	3.56	0.79	5.2	

## Features

- wideband, 20 to 1600 MHz
- hermetic case
- low conversion loss, 12.5 dB typ.

## Applications

- military, hi-rel applications
- synthesizer
- local oscillator



CASE STYLE: A01  
PRICE: \$49.95 ea. QTY (1-9)

## Frequency Multiplier Electrical Specifications

MODEL NO.	MULTIPLICATION FACTOR	FREQUENCY (MHz)		INPUT POWER (dBm)		CONVERSION LOSS (dB)		*HARMONIC OUTPUT (dBC)							
		Input	Output	Min.	Max.	Typ.	Max.	F1		F3		F4			
								Typ.	Min.	Typ.	Min.	Typ.	Min.	Typ.	Min.
RK-5	2	10-100	20-200	10	20	13.0	15.0	20	12	25	20	15	12		
		100-400	200-800	10	20	12.5	16.0	20	12	30	20	15	12		
		400-800	800-1600	10	20	13.0	16.0	20	12	25	18	15	10		

\*Harmonic output below power level of F2

## Typical Performance Data

Output Frequency (MHz)	Conversion Loss (dB)	Harmonic Output (-dBc)		
		F1	F3	F4
20.00	12.09	20.80	27.00	15.50
40.00	12.24	20.60	26.20	14.50
80.00	12.08	21.80	26.40	14.20
120.00	12.37	21.00	25.60	14.20
160.00	12.08	21.40	25.60	14.40
200.00	12.10	21.80	25.20	14.50
400.00	11.88	24.50	26.40	15.70
800.00	13.60	25.00	32.40	17.00
1200.00	13.25	17.40	31.40	21.00
1600.00	14.47	13.60	26.60	21.40

